

Spare Parts List

Pump

Item #	UH Part Number	Description
A	UHSUPRA0143	7L Pump Module Assembly Kit
1-2	UHSUPRA0132	Diaphragm Assembly 50Hz
1-3	UHSUPRA0175	Shockproof Foam Pad
1-4	UHSUPRA0172	Support Foam
1-5	UHSUPRA0432	Shockproof Fixture Plate with Ground
B	UHSUPRA0131	2-1 Air Valve Assembly Kit (Semi-Digital)
2-2	UHSUPRA0130	Synchronous Motor
2-3	UHSUPRA0145	Photo interrupter PCB Assembly TD-111B
2-4	UHSUPRA0144	Air Valve - Outlets
2-5	UHSUPRA0433	Air Valve - Round
C	UHSUPRA0281	Air Outlet 2-1 Alternating Panel Kit
4	UHSUPRA0261	Air Outlet 2-1 Alternating Panel
5	UHSUPRA0065	Label Sticker U Series Air Outlet 2-1 Alternating Panel
D	UHSUPRA0479	Front and Rear Cases Assembly Kit
6	UHSUPRA0062	Foam Pad - Feet
7	UHSUPRA0083	Foam Pad 45 X 15 X T5 - Rear
8	UHSUPRA0480	Front and Rear Cases
11	UHSUPRA0109	Nonwoven Filter
12	UHSUPRA0146	Filter Cap
D-1	UHSUPRA0107	Hanger Bracket Assembly Kit
9	UHSUPRA0264	Hanger Left and Right Bracket Set
9-1	UHSUPRA0265	Spring for Right Bracket
9-2	UHSUPRA0266	Metal Plate for Bracket
9-3	UHSUPRA0241	Self-Tapping Screws Diameters 3 X 10
10-1	UHSUPRA0267	Spring for Left Bracket
E	UHSUPRA0217	Power Side Panel (3 Prong Plug) Assembly Kit
13	UHSUPRA0499	Power Side Panel (3 Prong Plug)
13-1	UHSUPRA0155	Fuse Holder
13-2	UHSUPRA0154	Rocker Switch Black Side Panel
13-3	UHSUPRA0153	Tubular Glass Fuse 1A/250V
13-4	UHSUPRA0216	IEC Socket 3P
15	UHSUPRA0057	Power Cord Protector, Red
16	UHSUPRA0066	Label Sticker U Series Power Side Panel
E	UHSUPRA0434	Power Side Panel (2 Prong Plug) for Semi-Digital Pump Assembly Kit
13	UHSUPRA0500	Power Side Panel (2 Prong Plug) for Digital Pump
13-1	UHSUPRA0155	Fuse Holder
13-2	UHSUPRA0154	Rocker Switch Black Side Panel
13-3	UHSUPRA0153	Tubular Glass Fuse 1A/250V
13-4	UHSUPRA0270	IEC Socket 2P
15	UHSUPRA0057-2	Power Cord Protector, Red, Long
16	UHSUPRA0066	Label Sticker U Series Power Side Panel



Spare Parts List

F-2	UHSUPRA0140	Semi-Digital Control Panel Plate Assembly Kit
21	UHSUPRA0273	Semi-Digital Control Panel Plate
23	UHSUPRA0174	Pressure Control Regulator
F-2-1	UHSUPRA0274	Pressure Control Knob Assembly Kit
F-2-1-1	UHSUPRA0275	Knob with Water Drop Label Sticker
24	UHSUPRA0071	Dial Knob
25	UHSUPRA0072	Label Sticker Water Drop For Dial
24-1	UHSUPRA0159	Machine Screws M3 X 5
24-2	UHSUPRA0242	Pressure Adjustment Axle
24-3	UHSUPRA0148	Pressure Adjustment Fixture Cylinder
24-4	UHSUPRA0149	Conical Spring
24-5	UHSUPRA0150	Pressure Adjustment Sealing Cylinder
P1	UHSUPRA0134	Control Panel Inlay Tamora II
	UHSUPRA0133	
	UHSUPRA0152	Control Panel Inlay Tamora Plus II
P2	UHSUPRA0086A	Ultimate Healthcare Front Oval Logo Label
P3		Tamora II/Tamora Plus II Main PCB with MCU
1-1	UHSUPRA0246	Self-Tapping Screws Diameters 4 X 20
3	UHSUPRA0276	Tri-Set Tubing
17	UHSUPRA0173-3	Power Cord British Plug, 5A Fuse, Black 16' (3 Prong Plug)
17	UHSUPRA0277	Power Cord British Plug without Ground, 5A Fuse, Black 16' (2 Prong Plug)
22	UHSUPRA0278	Self-Tapping Screws Diameters 3 X 8
23-1	UHSUPRA0279	Self-Tapping Screws Diameters 3 X 12
26	UHSUPRA0215-2	UL/CE Safety Label
28	UHSUPRA0313	Noise Cancelling Bag L80 + L200



Spare Parts List

How to identify your pump type



2 Prong Plug - UHSUPRA0277

3 Prong Plug - UHSUPRA0173-3

Tamora II 3 Prong Plug – Up to serial number 7809432387

Tamora II 2 Prong Plug – From serial number 7809432388

Tamora Plus II 3 Prong Plug – Up to serial number 7809420271

Tamora Plus II 2 Prong Plug – From serial number 7809420272

How to find your serial number

The serial number is located on the sticker on the back of your pump.

Please Note

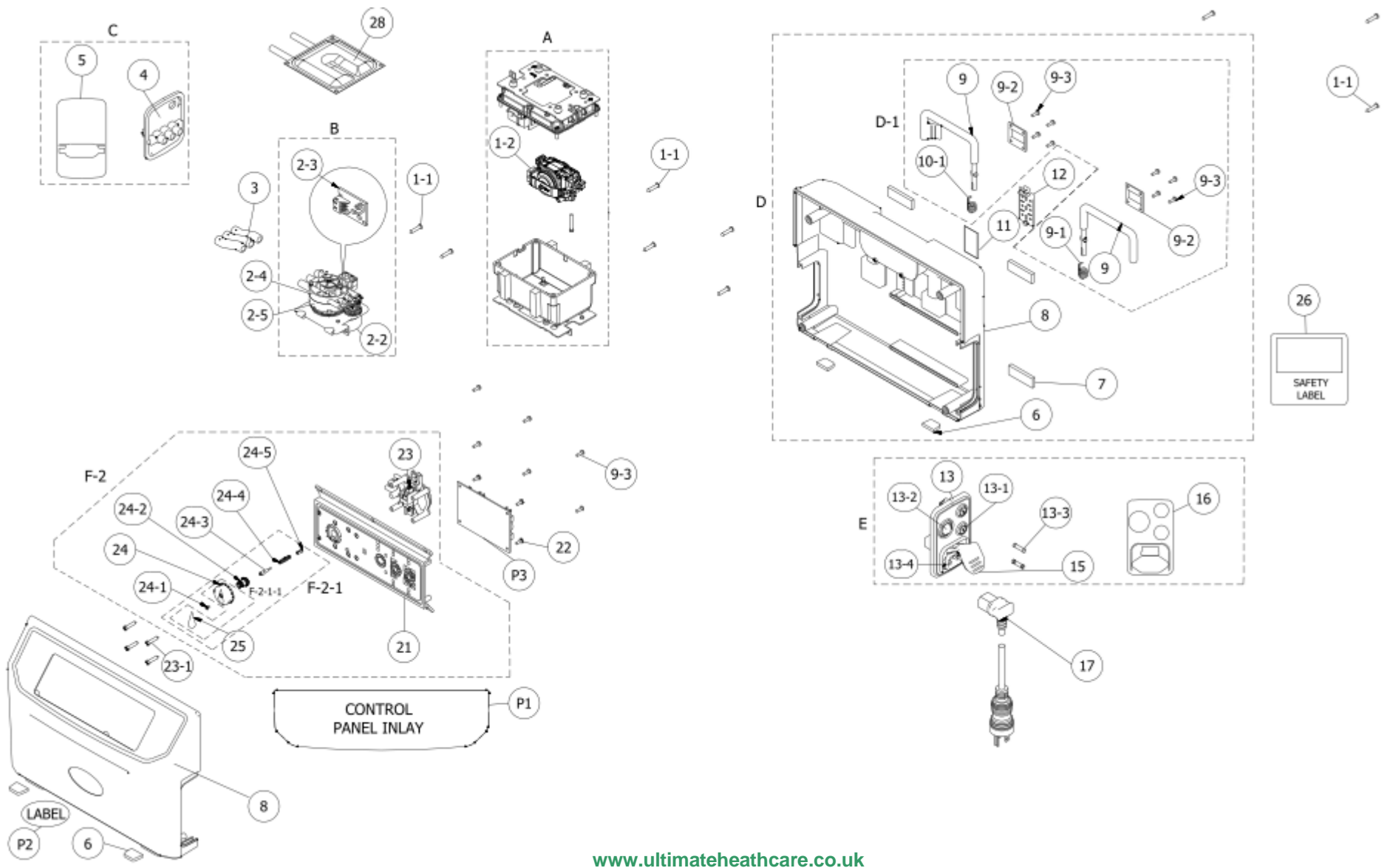
Opening your pump invalidates the manufacturers guarantee. Repairs and/or replacement of parts should only be carried out by trained personnel.

Questions?

Please email enquiries@ultimatehealthcare.co.uk



Spare Parts List



Spare Parts List

Mattress

Tamora II

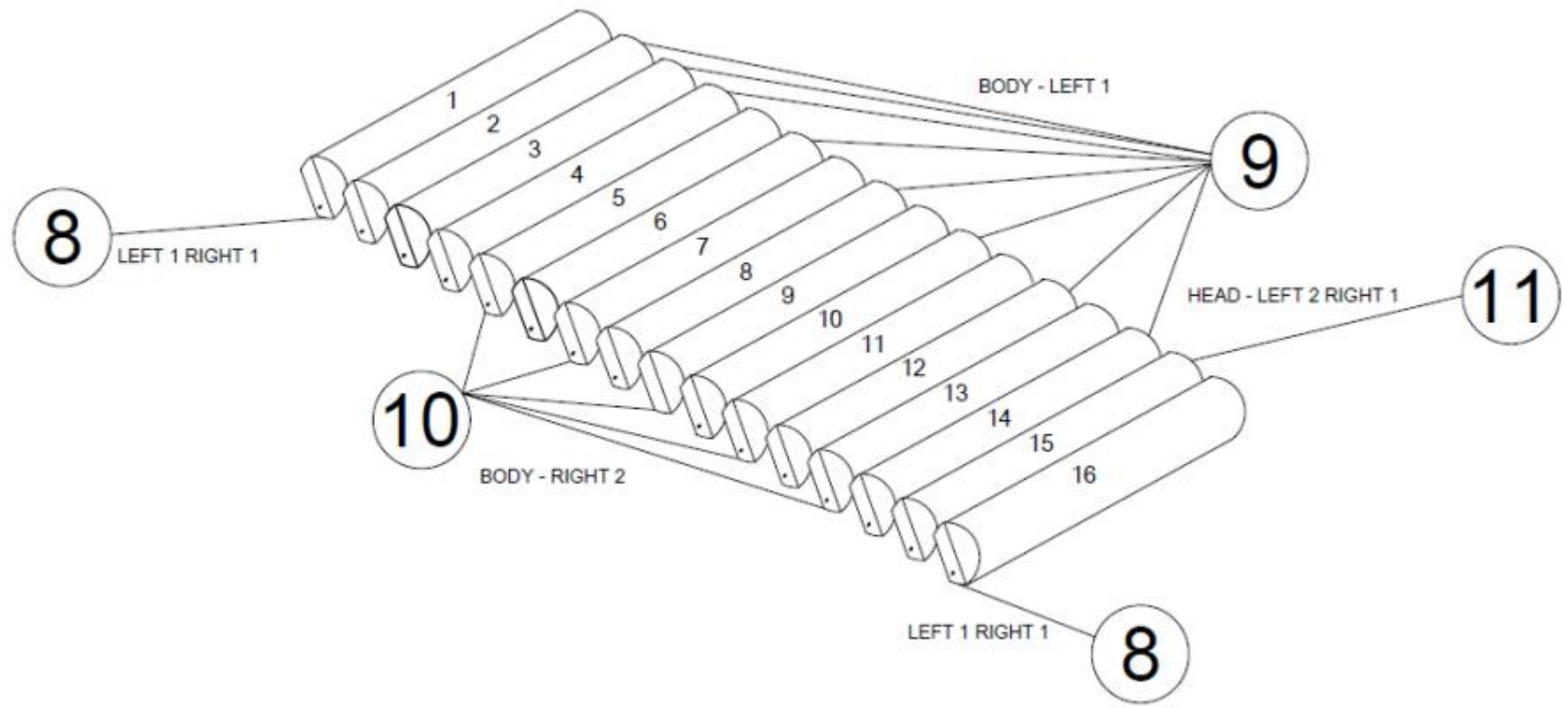
Item #	UH Part Number	Description
1	UHSUPRA0016	Mattress Top Cover Tamora II - 2 Zips (Half Zips)
2	UHSUPRA0436	Mattress Base 5" Tamora II/Tamora II Digital
2-1	UHSUPRA0435	5" 16 Cells Mattress Retainer (with Nylon-PVC base)
3	UHSUPRA0129	Pump Connector With Hose, 2-1 Alternating
4	UHSUPRA0114	Pump Connector Sleeve Purple/White L1300
5	UHSUPRA0076	Twist Valve Q-CPR Module For 4"/5" Mattresses
6	UHSUPRA0128-1	Twist Valve Q-CPR Sleeve Purple/White - Plastic Button L240
7	UHSUPRA0081	Manifold 5" Nylon-TPU 2-1 Alternating Q-CPR
7-1	UHSUPRA0105	One-Way Valve Set With Tubing - 110mm
8	UHSUPRA0079	5" Cell Nylon-TPU, L1R1
9	UHSUPRA0077	5" Cell Nylon-TPU, L1
10	UHSUPRA0078	5" Cell Nylon-TPU, R2
11	UHSUPRA0080	5" Cell Nylon-TPU, L2R2

Tamora Plus II

Item #	UH Part Number	Description
1	UHSUPRA0075	Mattress Top Cover Tamora Plus II - 2 Zips (Half Zips)
2	UHSUPRA0074	Mattress Base 5" Tamora Plus II/Tamora Plus II Digital
2-1	UHSUPRA0435	5" 16 Cells Mattress Retainer (with Nylon-PVC base)
3	UHSUPRA0129	Pump Connector With Hose, 2-1 Alternating
4	UHSUPRA0114	Pump Connector Sleeve Purple/White L1300
5	UHSUPRA0076	Twist Valve Q-CPR Module For 4"/5" Mattresses
6	UHSUPRA0128-1	Twist Valve Q-CPR Sleeve Purple/White - Plastic Button L240
7	UHSUPRA0081	Manifold 5" Nylon-TPU 2-1 Alternating Q-CPR
7-1	UHSUPRA0105	One-Way Valve Set With Tubing - 110mm
8	UHSUPRA0079	5" Cell Nylon-TPU, L1R1
9	UHSUPRA0077	5" Cell Nylon-TPU, L1
10	UHSUPRA0078	5" Cell Nylon-TPU, R2
11	UHSUPRA0080	5" Cell Nylon-TPU, L2R2



Spare Parts List



Spare Parts List

